

CA240

General description

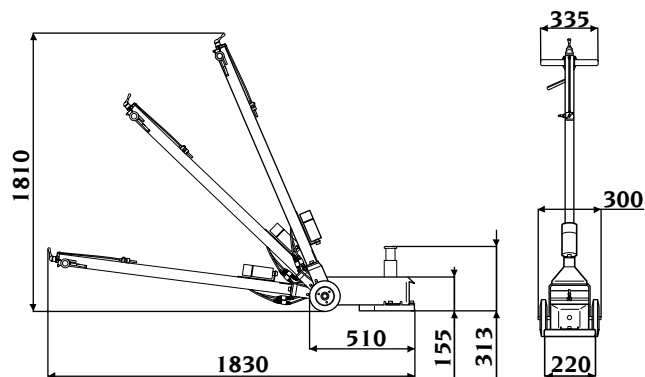
A compact and powerful equipment. It can lift **up to 28 tons on the first stage and 18 on the second one.** Starting from a very low lifting point (just 150 mm from the floor), it reaches a **maximum lift of 457 mm with the aid of extensions supplied as a standard.**

Its overall dimensions are very small. The handle can be easily removed and the lift can be used for emergency service on the road.

The lifting system is of the multistage vertical cylinder type.



Technical data



Operating pressure	8.5÷10 bar
Air consumption per lift cycle	60 l
at a pressure of 8÷10 bar (480÷600 NI)	
Maximum capacity	1st stage 28000 kg
	2nd stage 18000 kg
Minimum height	150 mm
Maximum height	1430 mm
Maximum length	1800 mm
Maximum width	297 mm
Weight	47 kg