

ERCO 25S

General Description

The ERCO 25S lift is sturdy, steady and practical to use.

Designed to improve conditions for work on the wheels, nowadays it has become an essential tool for tyre professionals and car repair garages in search of a versatile, safe lift for any type of cars, vans and off-road vehicles. **The lifting strength (2500 kg) is generated by two double-acting pneumatic cylinders operated by a pedal.** It is constructed according to the European safety standards (CE) to ensure the operator's safety. Its sturdy structure allows working without the need of floor fixing.

ERCO 25S is available in the following versions:

Basic version: with four two-stage ramps

(possibility of drive-through);

D.R.: with two two-stage ramps and two ramps with stop. **Access to the lift platform is facilitated by the two-stage access ramps** with a new design that allow proper ascent and descent even for very low sports cars with spoiler.

A pair of new ramps with stop in the end part is available for installation on the side opposed to the access ramps to ensure **high stability** of the vehicle to be lifted: ramps of this kind are especially useful for lifting longer wheelbase vehicles. Access ramps can be removed to allow balancing operations without removing the wheels. A series of extensions for access ramps is available **to work on longer wheel-base vehicles.**

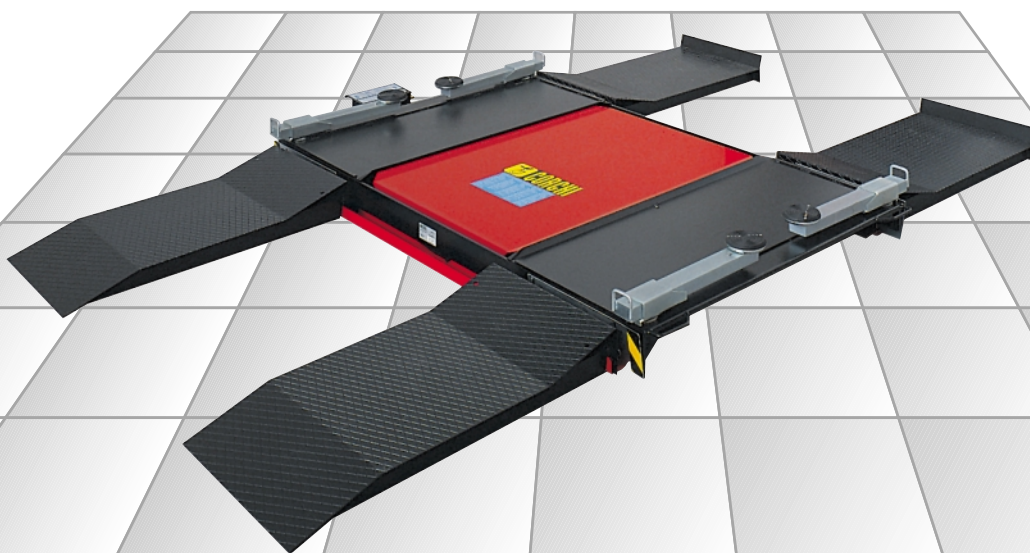


➤ The lift performance can be increased using four telescopic arms (on request) that allow lifting from the proper support points as indicated by the vehicle manufacturer. The arms feature an automatic locking device.



➤ Drive-through ramp.

➤ Version with telescopic arms

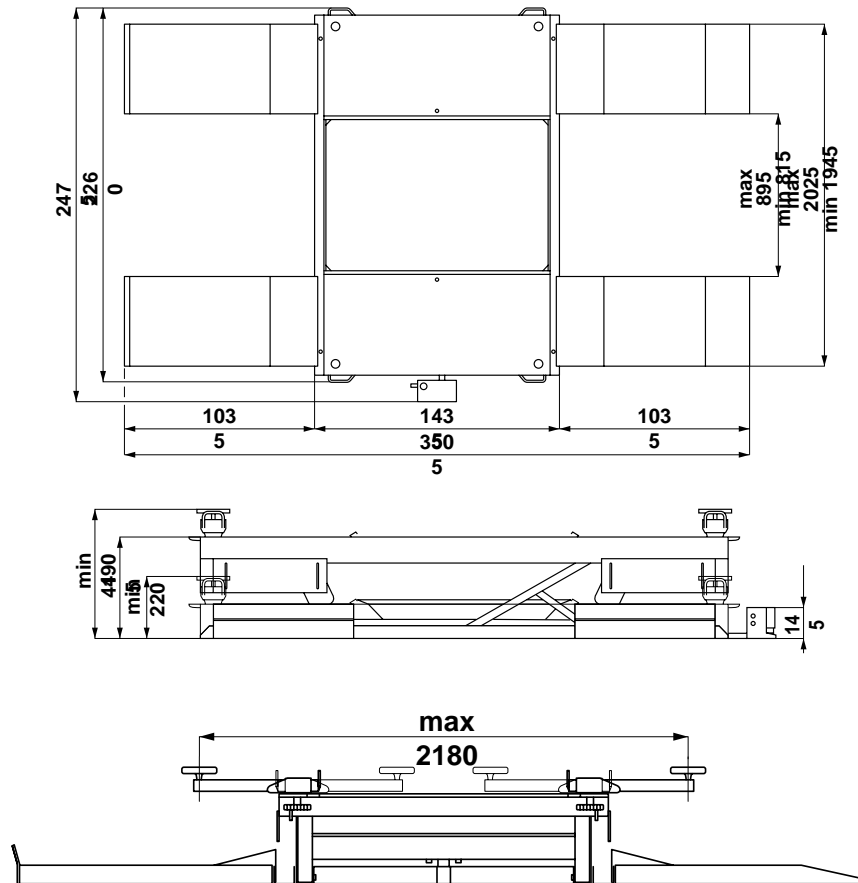


This product is approved by:



»»» Main characteristics

- Lift for cars and light transport vehicles, capacity up to 2500 kg.
- Can be operated **without floor fixing**.
- Lifting strength generated by two double-acting pneumatic cylinders.
- **Available in a basic version for drive-through and in the D.R. version with two ramps with front stop.**
- **Four telescopic adjustable extensions** with automatic locking device are available on request.
- Four extensions **for long wheel base** are available on request.



Technical data

Maximum capacity	2500 kg
Minimum height	145 mm
Maximum lifting height	415 mm
Maximum length with ramps	3505 mm
Maximum width	2475 mm
Operating pressure	8-10 bar
Weight	355 kg